

**ALT 4200 D**  
**ALT 13 D**  
**ALT 17 D**  
**ALT 25 D**

**MOBILE LIGHTING TOWER AND GENSET**



Civil Defense Services



Shows and Exhibitions



Highway and Railway Ground



Pipeline Flooring



Construction Sites

**ALT 4200 D**  
**ALT 13 D**  
**ALT 17 D**  
**ALT 25 D**

Mobile Lighting Tower

80  
2800

700

**ALT 4200 D**

**ALT 13 D**

**ALT 17 D**

**ALT 25 D**

## **MOBILE LIGHTING TOWER AND GENSET**

**aksa** POWER  
GENERATION

### **FEATURES**

- 7 Meter hand operated telescopic mast
- 1500 rpm Diesel Engine
- Silent
- Manual crane system
- Easy start and One-staff operate
- Removable generating set



Optional  
4 x200W LED  
Armatures

### **CANOPY**

- Sound proof canopy with compact design
- Every single Sheet metal parts and canopy has painted with electrostatic powder paint 12 hours run capacity fuel tank
- Ability to monitor the genset status and each parameters of genset from transparent window.

### **FLOOD LIGHTS**

- ALT 4200 D: 3x1000 watt  
ALT 13 D - ALT 17 D -  
ALT 25 D: 4x1000 watt halide lamps
- Non-corrosive, die-cast aluminum housing
- Anti-rain and moisture glass
- Individual lamps

### **MAST**

- 3 section and 7 meter galvanized mast
- Manual winch system
- One-staff operation
- Double winch system for raising and tilting

### **GENERATING SET**

- Aksa, air cooled, 1500 rpm diesel engine
- Electrical start
- Silent with sound proof canopy
- Replaceable dry type air filter
- 12V maintenance free battery
- Gen-set control panel
- 400V and 230V 50 Hz alternator

### **TRAILER**

- Single axle, torsion bar suspension
- 50 mm towing eye
- 13" wheels (175/70 R13)
- Against corrosive painted chassis
- Trailer with Lack lift.

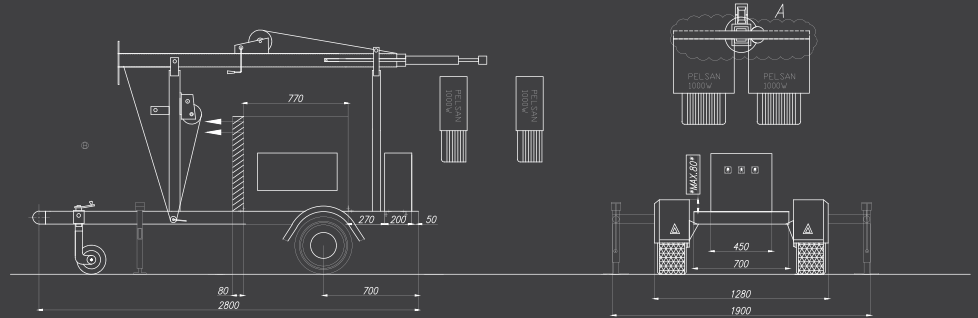


50Hz MOBİL AYDINLATMA KULESİ VE JENERATÖRÜ										
Model	Motor Modeli	Jeneratör Gücü				Voltaj (V)	Faz Sayısı	Yakıt Tankı Kapasitesi (lt)	Tam Yükte Yakıt Tüketimi (lt/s)	Yardımcı Soketler
		Standby (kVA)	Standby (kW)	Prime (kVA)	Prime (kW)					
ALT 4200 D	AKSA	4,5	4,5	4,2	4,2	230	1	16	1,5	2x16A/230V 1 Faz
ALT 13 D	AKSA A4CRX19	12	9,6	11	8,8	400	3	32	3,7	1x32A/230V 1 Faz 1x32A/400V 3 Faz
ALT 17 D	AKSA A4CRX21	17	13,6	16	12,8	400	3	32	4,6	1x32A/230V 1 Faz 1x32A/400V 3 Faz
ALT 25 D	AKSA A4CRX27	25	20	22	17,6	400	3	60	6,4	Opsiyonel

## ALT 4200 D

### DIMENSIONS

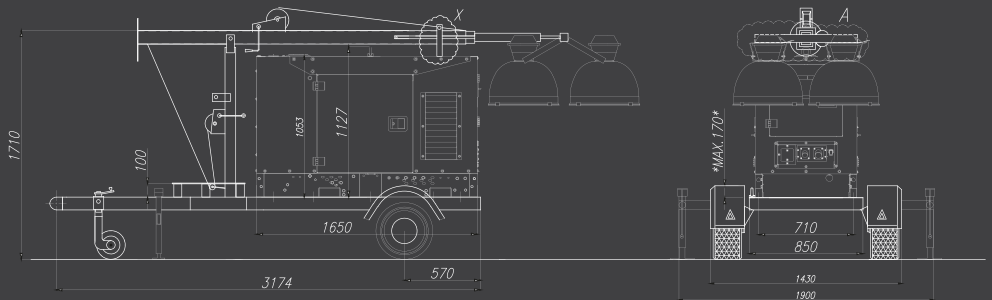
- Length (with trailer) : 3900 mm.
- Width (with trailer) : 1280 mm.
- Height : 1810mm.
- Width (telescopic feet open) : 1900mm.



## ALT 13 D - ALT 17 D

### DIMENSIONS

- Length (with trailer) : 3850 mm.
- Width (with trailer) : 1430 mm.
- Height : 1750mm.
- Width (telescopic feet open) : 1900mm.



## ALT 25 D

### DIMENSIONS

- Length (with trailer) : 4540 mm.
- Width (with trailer) : 1580 mm.
- Height : 1860mm.
- Width (telescopic feet open) : 2050mm.

