



Cummins Onan Digital Display

Cummins Onan

Features and benefits

- Rugged dependability, high quality and innovation make Cummins Onan Marine Generators the leader in marine generator design and development, providing Performance you rely on.™
- The digital QD (Quiet Diesel) Series models are the first marine generator sets with self-monitoring capability and network communication.
- The optional Cummins Onan Digital Display provides user-friendly self-diagnostic features and text display including extensive engine and alternator information.
- Cummins Onan Marine Generators, with advanced design and development processes, use technology to lower sound and vibration. Our sound shields minimize noise and deliver better sound quality. The optimized mounting system greatly reduces vibration.
- Certified to U.S. Environmental Protection Agency (EPA) emission standards.
- Cummins Onan Marine Generators have the largest worldwide certified distributor/dealer support network in the industry with more than 70 years of marine experience.

Models and ratings

Model	kW/kVA	Voltage	Amps	Phase	Hz	Engine RPM
MDKBW	8.0/8.0	110/220	72.7/36.4	1	50 Hz	2880
		115/230	69.6/34.8	1	50 Hz	2880
		120/240	66.6/33.3	1	50 Hz	2880

Single phase output at 1.0 power factor. Other single phase configurations are available, contact your distributor/dealer for more information.

Rating conditions are 100 kPa (29.6 in Hg) barometric pressure, 30% relative humidity and 25° C (77° F) (ref. ISO 3046).

Sound level, weight, and size

Sound level	Dimensions			
	Weight (dry)	Length	Width	Height
50 Hz configuration				
72.5 dB(A)*	195 kg (429 lb)	664 mm (26.1 in)	583 mm (22.9 in)	535 mm (21.1 in)

* Full load 1 m



Standard features

- Advanced digital electronic control providing extensive diagnostic capability
- Shutdown with diagnostic indicator light for: high engine coolant temperature, high exhaust temperature, low oil pressure, over speed/voltage, starter overcrank, no raw water flow, additional customer input and many more
- Start-run-stop switch with glow plug preheat and fuel pump priming modes for easy starting; run light and diagnostic indicator light
- Start function has automatic glow plug preheat for cleaner starting
- Engine starter with automatic start disconnect
- Electronic governor allows the generator set to maintain isochronous frequency control and close voltage regulation to provide quality power for digital appliances and computers
- Front panel oil fill and level check
- Single phase AC alternator with single or dual voltages
- Digital voltage regulator integral with control
- 12 V DC electric system with battery charging, negative ground and DC protective circuit breakers
- Electric fuel transfer pump for priming and lift capability
- Freshwater cooling system with heat exchanger, expansion tank and coolant recovery system
- Water cooled exhaust mixing elbow
- AC mainline circuit breaker
- Running time meter
- Air intake silencer
- Mounting systems with vibration isolators
- Full flow lube oil filter
- Service side accessible oil drain valve
- Electric fuel shut-off via electronic governing actuator
- Fuel filter/water separator
- Drip pan base capable of containing all generator set fluids
- External mount tabs allow flexible mounting arrangement
- Bulk head type connections for ease of installation include fuel in, fuel out, battery, raw water inlet, wet exhaust and generator set ground (vessel bond)
- Integral enclosure for environmental protection from noise, salt water, and moving parts
- Plug-in watertight connector for optional remote control
- Closed crankcase breather re-circulation to eliminate engine room contamination
- Coolant overflow bottle for easy coolant level maintenance
- Fire extinguisher access port
- Factory load tested
- Five year limited warranty

Engine details

Design: 4-cycle, water-cooled diesel

Cylinders: 3

Bore: 67 mm (2.64 in)

Stroke: 68 mm (2.68 in)

Displacement: 719 cm³ (43.88 in³)

Compression ratio: 23.5:1

Max fuel lift: 1.22 m (4 ft)

Lube oil capacity: 3 L (3.2 qt)

Coolant capacity: 3.1 L (3.3 qt)

Coolant flow rate: 50 Hz: 35 L/min (9.2 Gal/min)

Raw water flow rate: 50 Hz: 19 L/min (5 Gal/min)

Starting system: 12 V

Power (max): SAEJ1939 50 Hz at 2880 RPM 13 kW

Fuel injection pump: Bosch MD type

Combustion Chamber: Spherical

Max Raw Water Lift: 1.22 m (4 ft)

Fuel consumption

	1/4 load	1/2 load	3/4 load	Full load
MDKBW	1.41 L/Hr (0.37 G/Hr)	1.85 L/Hr (0.49 G/Hr)	2.35 L/Hr (0.62 G/Hr)	2.97 L/Hr (0.78 G/Hr)



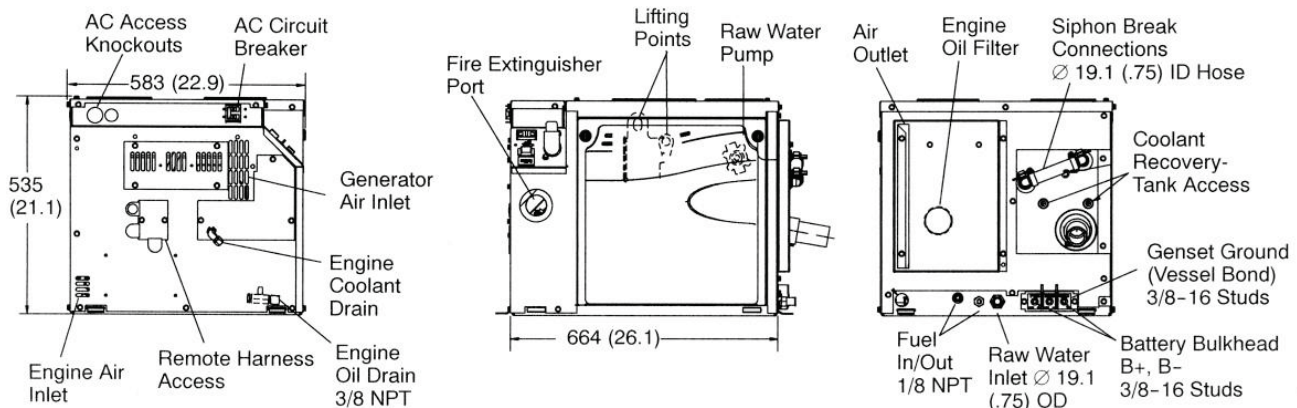
Alternator details

Design: Cummins Onan revolving field, 2-pole, drip-proof construction, with encapsulated rectifiers
Voltage Regulator: Integral with digital-control
Stator: Skewed stator and 2/3 pitch windings minimize field heating and voltage harmonics; resin-coated for corrosion protection
Rotor: Dynamically balanced assembly; supported by pre-lubricated, maintenance-free ball bearings
Cooling: Rotor mounted centrifugal blower
Insulation system: Class H per NEMA MG1-1 -1.65 and BS 5000 and motor starting

Generator set performance

Operating environment: Generator sets are durability tested at maximum ambient air temperature: 50° C (122° F) and raw water temperature: 37.8° C (100° F)
Frequency regulation: Isochronous
Random frequency variation: Will not exceed +/-0.5% of its mean value for constant loads from no load to full load
Voltage regulation: No load to rated load +/-1.5%

Basic dimensions



Note: This outline drawing is provided for general reference only and is not intended for design or installation. For more information see Operation and Installation manuals or obtain drawing A029F006 and wiring diagram from your distributor/dealer.

Options

- SAE J-1939 CAN data link for monitoring generator set status and diagnostics for engine and alternator
- SmartCraft Networked™ data link for monitoring generator set status and diagnostics for engine and alternator (display available through Cummins MerCruiser Diesel)

Accessories

- Cummins Onan Digital Display - graphical LCD remote display for generator set operating parameters, diagnostics, and pre-alarm indication in text format
- Basic remote panel with start/stop switch with run (green) and control status (amber) lamps
- Dual remote station Y-adapter harness
- Remote switch harness (connection) only for customer panel
- Remote station harness pigtail
- Remote display or panel wire harness - 15 ft, 25 ft, 45 ft, 75 ft, 100 ft or 150 ft
- Line circuit breakers for field conversion of AC voltage output



- Remote fuel filter/water separator assembly
- Fuel supply and return hose barb connectors
- Siphon break kit
- Wet exhaust hose and stainless steel elbow
- Battery
- Kits for converting to SAE J-1939 CAN or SmartCraft Networked™
- Marine mufflers, water separator and resonator dual silencers
- 12 V isolated DC control conversion kit
- Ship-to-shore selector switch, single phase, 2 or 3 wire output
- Cruise kit - maintenance parts - fuel filters, oil filters, raw water pump impellers, raw water pump belt and plastic container





Standards and testing

National Marine Manufacturers Association (NMMA) members produce every conceivable product used by recreational boaters. NMMA provides a wide variety of programs and services including technical expertise, standards monitoring, government relations advocacy and industry statistics.

The American Boat and Yacht Council (ABYC) develops standards and recommended practices for designing, constructing, equipping and maintaining small pleasure and commercial craft.

This generator set was designed and manufactured in facilities certified to ISO 9001.



Warranty policy

The Cummins Onan express, written limited warranty covers virtually everything except routine maintenance for the first two years you own your marine generator set, and covers parts and labor on major power train and generator set parts during the third through fifth years.



WARNING:

Back feed to a utility system can cause electrocution and/or property damage. Do not connect to any building electrical except through an approved device or after building main breaker is open.

After sale support

Largest distributor/dealer support network

Cummins Onan generator sets are supported by the largest and best trained worldwide certified distributor/dealer network in the industry. This network of knowledgeable Cummins Onan distributor/dealers will help you select and install the right generator set and accessories to meet the requirements of your specific application. This same network offers a complete selection of commonly used generator set maintenance parts, accessories and products plus manuals and specification sheets. Plus, they can answer your questions regarding proper operation, maintenance schedules and more.

Manuals: Operation, installation and parts manuals ship with the generator set. To obtain additional copies or other manuals for this model, see your Cummins Onan distributor/dealer and request the following manual numbers: Operation (A029Z105), Installation (A029Z106), Parts (A029Z108), Service (A029Z107).

To easily locate the nearest Cummins Onan distributor/dealer in your area, or for more information, contact us at 1-800-888-6626 (or 763-574-5000), or visit www.cumminsonan.com.